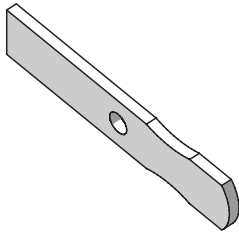
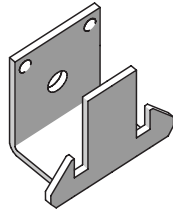


1

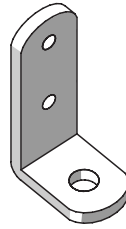
Dismantle Latch, Catchplate and Hinges from gate. You should have parts as follows:



1 x Latch



1 x Catchplate



2 x Hinges



3 x Bolts



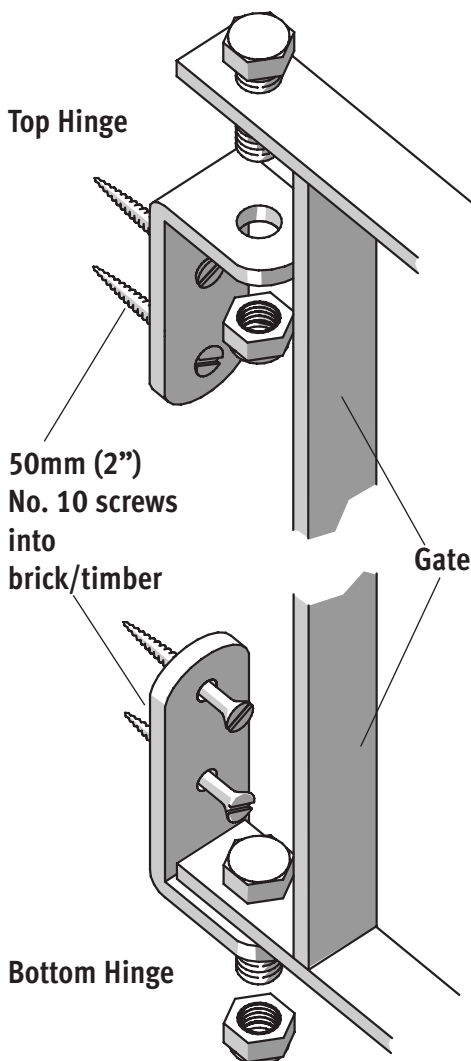
3 x Nyloc Nuts

N.B. You will require 6 x 50mm No.10 Exterior Grade Screws (not supplied)

2

After determining position of gate, fix hinges to brick/timber.

We recommend allowing a minimum clearance of 50mm (2") between bottom of gate and ground level.



3

A. Select opening side of gate and assemble latch to saddle as shown below. **Gate latch bolt should only be tightened enough to allow free movement of latch.**

B. Align catchplate to latch and screw into brick/timber using 50mm (2") No. 10 screws.

